

# JU 1/2 C

## JUTE Tap Range Jute Basin Taps Chrome



### Features:

- Long life and easy to use 1/4 turn ceramic disc valves
- Metal back nuts for added durability
- Metal handles
- Chrome plated to BS EN 248

### Product Certifications:



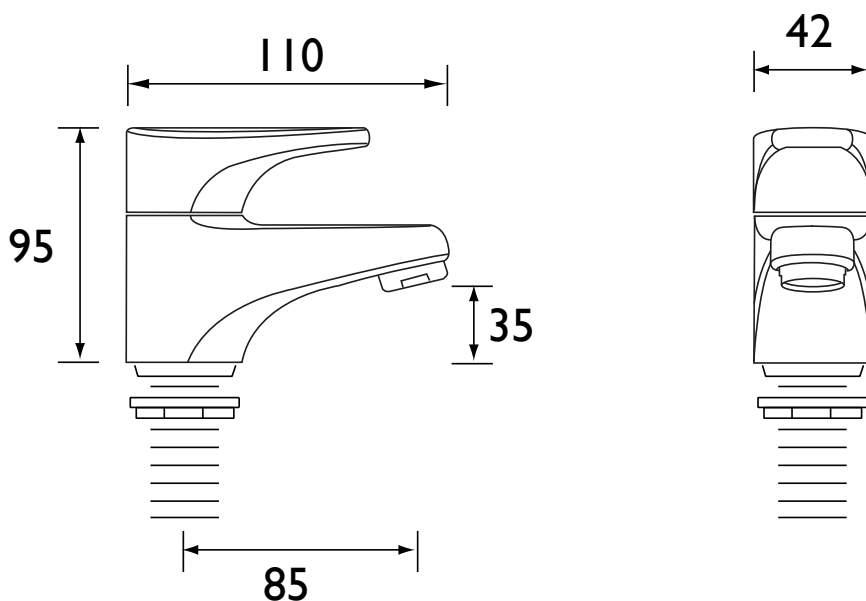
For more products, visit our website:  
<http://www.bristan.com>



### Specification

<b>Product Type:</b>	Bathroom Taps
<b>Main Construction Material:</b>	Brass
<b>Mount Type:</b>	Deck
<b>Handle Type:</b>	Lever
<b>Connection Inlet:</b>	1/2" BSP
<b>Connection Outlet:</b>	M18 Flow Straightener
<b>Number of Tap Holes:</b>	2
<b>Valve/Cartridge Type:</b>	1/2" Ceramic Disc Valve - 1/4 turn
<b>Plumbing System Requirements:</b>	Suitable for all plumbing systems
<b>Minimum Dynamic Pressure (bar):</b>	0.2 bar
<b>Maximum Dynamic Pressure (bar):</b>	5 bar
<b>Maximum Hot Water Temperature °C:</b>	65°C
<b>Maximum Static Pressure (bar):</b>	10 bar
<b>Isolation Included:</b>	No

### Dimensions (measurements in mm)



### Flow Rates (l/min)

System Pressure (bar)	0.2	0.5	1	2	3	5
JU 1/2 C (Cold)	8.6	13.7	19.3	27.4	33.5	43.2
JU 1/2 C (Hot)	8.6	13.7	19.3	27.4	33.5	43.2

## TECHNICAL DATA SHEET



# BRISTAN

D8